

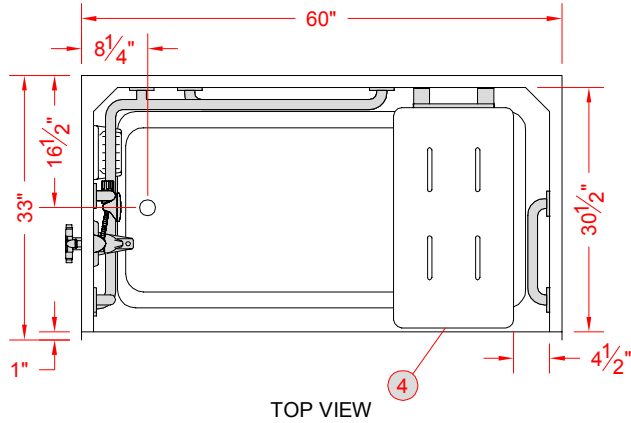


ADA/ANSI/CA TITLE 24
COMPLIANT WHEN FULLY
EQUIPPED

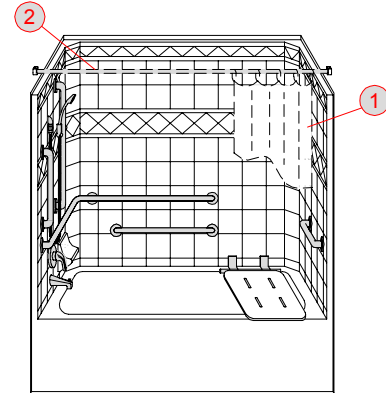
CA TITLE 24
COMPLIANT



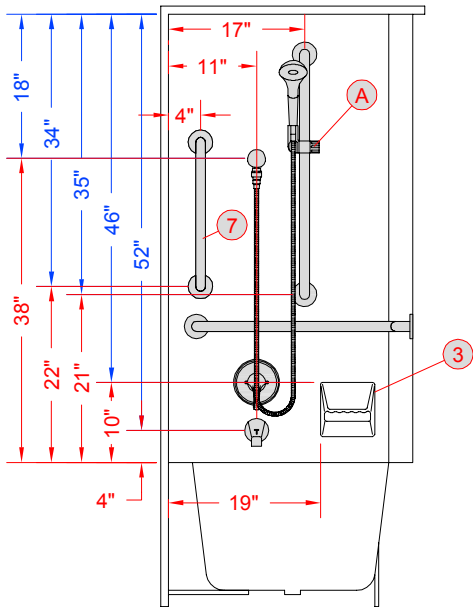
DIMENSIONS
IN BLUE
ARE FOR
INTERNAL
USE ONLY



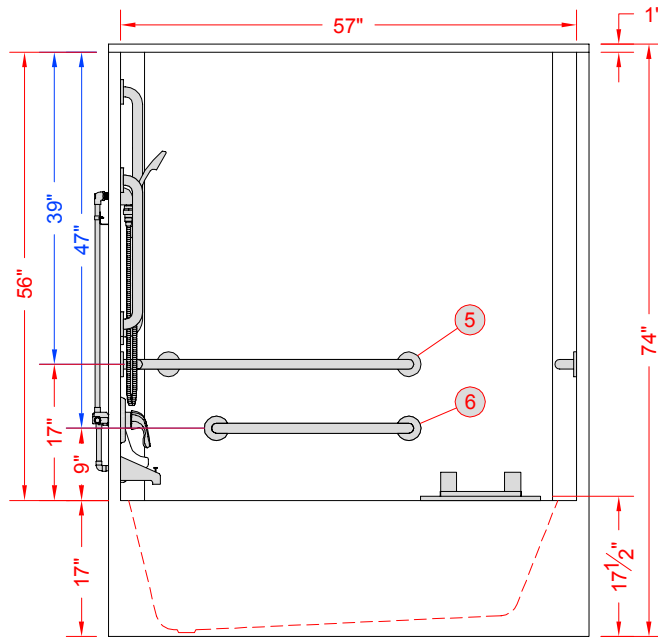
TOP VIEW



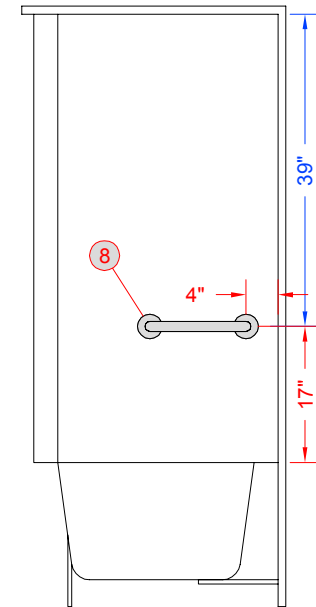
PERSPECTIVE - N.T.S.



INT. LEFT ELEVATION



FRONT ELEVATION



INT. RIGHT ELEVATION

E	---	---
D	---	---
C	---	---
B	---	---
A	---	---
REV	CHANGE	DATE

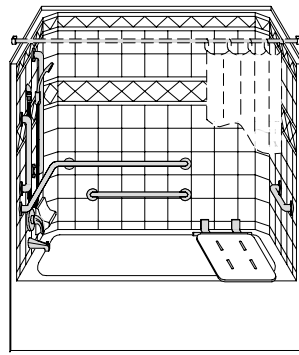
PROJECT:
COMPANY:

DB: MA	SCALE: 1/2" = 1'-0"	DATE: 10/30/16
CB: PVR	SHEET 1 OF 2	DRAWING NUMBER: 13574

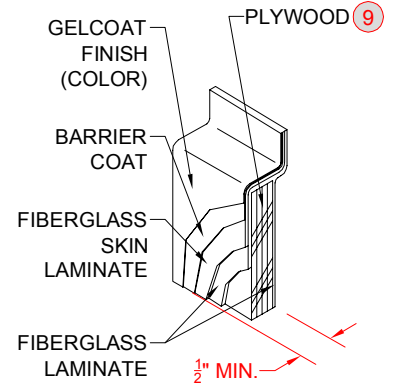


NOTES:
 • Rough-in stud opening +1/4" -0" nominal dimensions
 • All vertical accessory dimensions are measured from the floor of the shower.
 • Best Bath Systems, Inc. retains ownership of all product designs and any proprietary information may not be disclosed to its competitors, their agents or affiliates.

ACCEPTED AS CORRECT BY:
 X _____ / /



PERSPECTIVE N.T.S.



LAMINATE DETAIL C - SCALE: 3" = 1'-0"

VALVE PACKAGE DETAILS:

A	1	VALVE KIT INCLUDES: SYMMONS 9600-PLR-X 4-PORT VALVE, 30" x 1- ¹ / ₄ " GRAB/GLIDE BAR WITH SLIDER, 1.5 GPM (5.7 L/m) HAND SHOWER, 60" HOSE, SUPPLY ELBOW, VACUUM BREAKER, AND SPOUT WITH INTEGRAL DIVERTER		KGB30QSS9600-04	✓			
PLUMBING TREE:		COPPER PTS102 - SYMMONS 28" WITH 4-PORT VALVE AND SPOUT		COPPERTREE	✓			
PT NIPPLE SIZE:		STANDARD 2.5" NIPPLE	SUPPLY TEST:	STANDARD	020PLUM1003	✓		
PLUMBING TREE CUSTOM PARTS:		N/A						

FOR THE PROTECTION OF YOUR ACCESSORIES, SOME ITEMS INCLUDED IN THE VALVE PACKAGE WILL NOT BE INSTALLED AT THE FACTORY. THESE ITEMS INCLUDE, BUT ARE NOT LIMITED TO, THE SUPPLY ELBOW, VACUUM BREAKER, HOSE, AND HAND SHOWER.

15								
14								
13								
12								
11								
10								
9	-	FULL PLYWOOD BACKING				✓		
8	1	12" x 1- ¹ / ₄ " GRAB BAR		GB12QSS		✓		
7	1	18" x 1- ¹ / ₄ " GRAB BAR		GB18QSS		✓		
6	1	24" x 1- ¹ / ₄ " GRAB BAR		GB24QSS		✓		
5	1	27" x 36" x 1- ¹ / ₄ " L GRAB BAR		GB2736QSS		✓		
4	1	30" x 15" FOLD DOWN TUB SEAT, PHENOLIC		SE3015PHTS		✓		
3	1	SURFACE MOUNT SOAP DISH, SMALL	WHITE	SOAPDISHSM		✓		
2	1	20 GAUGE STAINLESS CURTAIN ROD WITH MOUNTING BRACKETS		KACXROD59.5			✓	
1	1	66" x 74" CURTAIN		KACXCURT0005			✓	
KEY	QTY.	DESCRIPTION	COLOR	PART NUMBER	FACTORY INSTALLED	INSTALLED BY OTHERS	MARK LOCATION ONLY	PRE-DRILL HOLES
PARTS LIST								

	NOTES:	DATE: 10/30/16
	N/A	DRAWING NUMBER: 13574
	REFER TO SHEET 1 OF 2 FOR ACCESSORY LOCATIONS	SHEET 2 OF 2